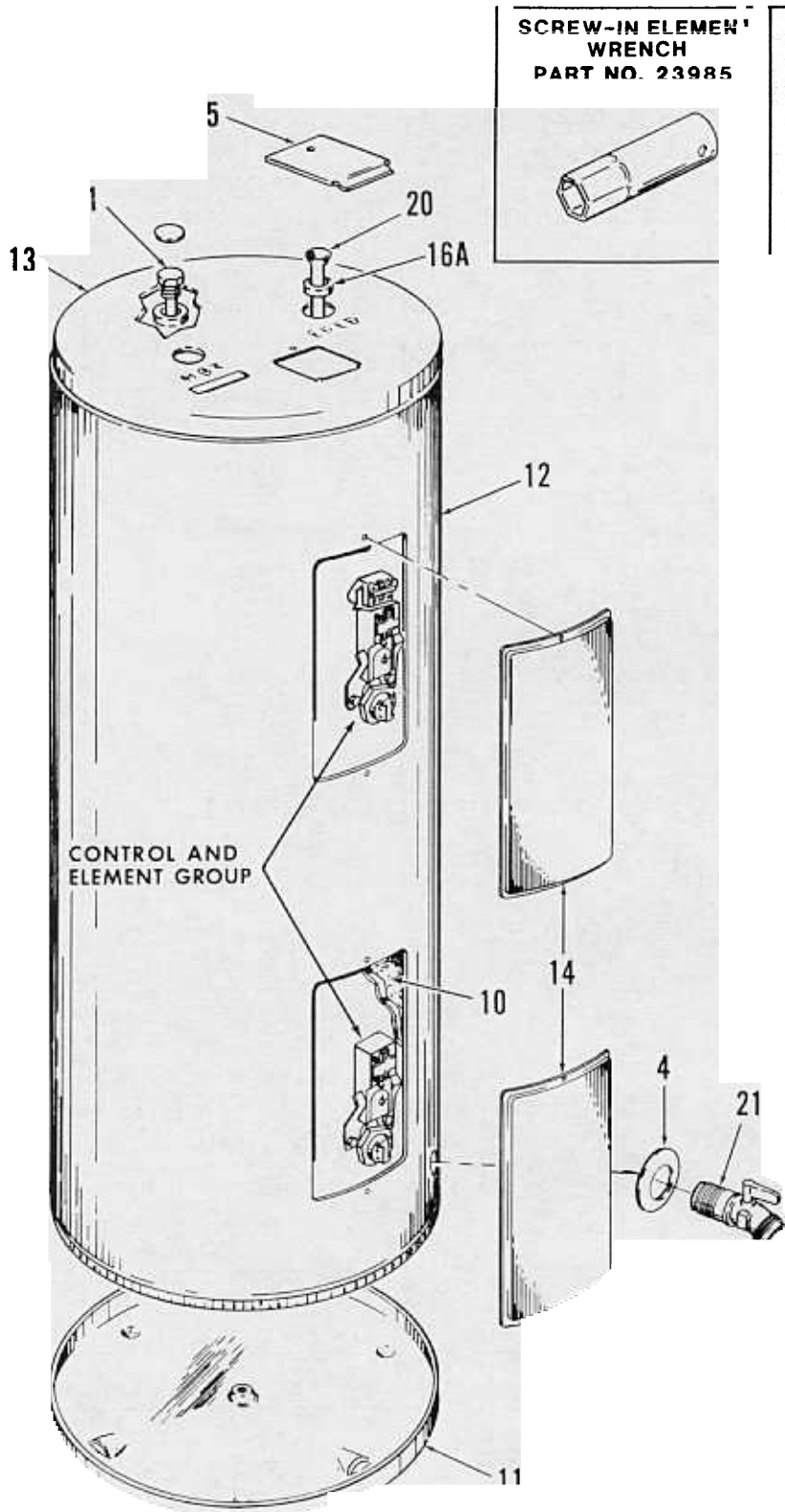
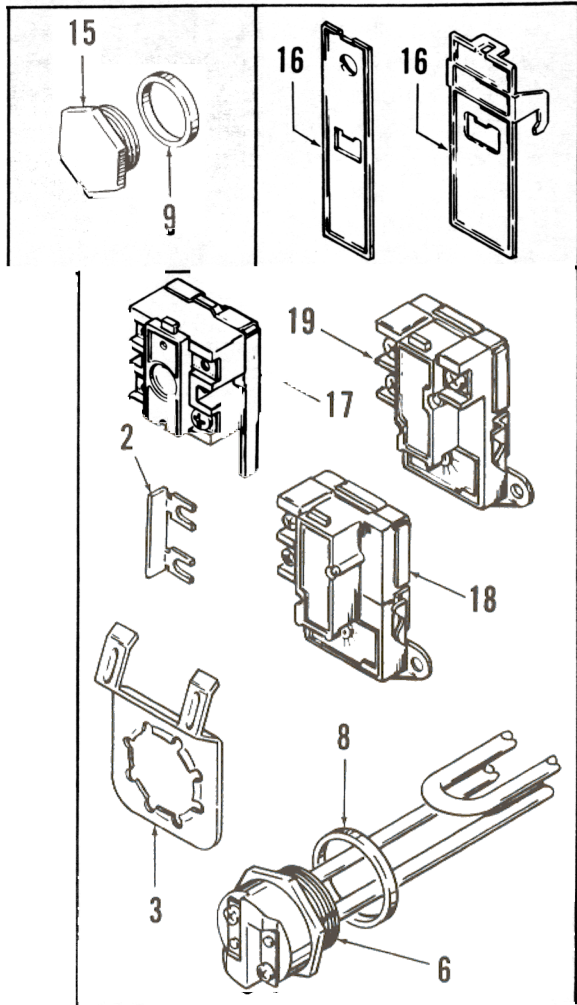
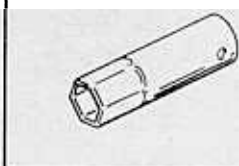


# ELECTRIC

## RESIDENTIAL WATER HEATER PARTS LIST MODELS KEN/SE-30/40/52/66/80 SERIES 911 AND 912



SCREW-IN ELEMENT  
WRENCH  
PART NO. 23985



CONTROL AND ELEMENT GROUP

**RELIEF VALVE**

AUTOMATIC (SELF CLOSING) TYPE

PRESS.	*TYPE	SIZE	TEMP. RELIEF
150 lbs.	T & P	3/4 x 3/4	210°

PART NO.  
23740 1 Covered Extension Thermostat for Troublesome Waters

\*TEMPERATURE & PRESSURE

**A.O. SMITH**  
WATER PRODUCTS  
CORPORATION

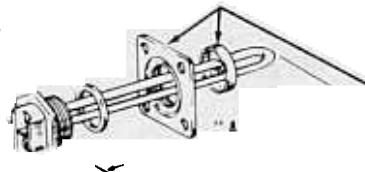
Description	KEN, SE	KEN, SE	KEN, SE	KEN	KEN
	30 Gal. 911 & 912	40 Gal. 911 & 912	52 Gal. 911 & 912	66 Gal. 911 & 912	80 Gal. 911 & 912
Anode, Plug Type.....	43816-38	43816-38	29109-50	29109-50	29109-50
Bar, Buss.....	21010	21010	21010	21010	21010
Bracket, Thermostat.....	42468	42468	42468	42468	42468
Collar, Pipe.....	20172-14	20172-14	20172-14	20172-14	20172-14
Cover, Junction Box.....	43441-200	43441-200	43441-200	43441-200	43441-200
Element, Heating.....	SEE ELEMENT CHART BELOW				
Gasket, Element.....	23789	23789	23789	23789	23789
Gasket, Plug.....	23789	23789	23789	23789	23789
Insulation.....	34000-168	34000-169	34000-170	34000-171	34000-172
Jacket Base.....	40503-100	40503-101	40503-101	40503-102	37625-100
Jacket, Outer.....	43835-27	43835-28	43835-29	43835-30	43835-31
Jacket Top (911).....	160392-105	160392-106	160392-106	160392-107	160392-108
Jacket Top (912).....	160715-105	160715-106	160715-106	160715-107	160715-108
Panel, Front.....	42961-100	42961-100	42961-100	42961-100	42961-100
Plug, Element.....	42290	42290	42290	42290	42290
Protector (Lower).....	160799-1	160799-1	160799-1	160799-1	160799-1
Protector (Upper).....	160799	160799	160799	160799	160799
Spacer, Inlet Tube (911).	42589	42589	42589	42589	42589
Spacer, Inlet Tube (912).	42589-1	42589-1	42589-1	42589-1	42589-1
Switch, High Limit.....	23899	23899	23899	23899	23899
<u>Thermostat, Lower.....</u>	23897	23897	23897	23897	23897
<u>Thermostat, Inner.....</u>	23898	23898	23898	23898	23898
Tube, Inlet (911).....	21062-36	21062-36	21062-45	21062-49	21062-49
Tube, Inlet (912).....	21092-36	21092-36	21092-45	21092-49	21092-49
Valve, Drain.....	160506-3	160506-3	160506-3	160506-3	160506-3

Underlined parts are recommended stock items for emergency replacement

Standard hardware items may be purchased locally.

**IMPORTANT:**

When replacing screw-in type elements be sure to use Dow-Corning Silicone sealant (bathtub sealer) which solidifies like rubber and is non hardening.



ORDER ADAPTER FLANGES IF NECESSARY, PART NO. 23773. FLANGE KIT IS SHOWN WITH ACCOMPANYING GASKET.

**Master-Fit® SCREW-IN ELEMENT CHART**

Wattage	Max. "A" Dimension (Inches)		Max. "A" Dimension (Inches)		Max. "A" Dimension (Inches)		Max. "A" Dimension (Inches)		Max. "A" Dimension (Inches)	
	120V	208V	240V	277V	480V					
1000W	23790-2	8	23775-2	9 1/2	23791-2	8	23782-2	9 1/2		
500W	23790-4	11	23775-4	13	23791-4	11	23782-4	9 1/2		
1000W	23790-5	11 1/2	23775-5	13 1/2	23791-5	13 1/2	23782-5	13 1/2		
500W	23790-6	11 1/2	23775-6	13 1/2	23791-6	12 1/2	23782-6	13 1/2	23783-6	11 1/2
1000W	23790-7	11 1/4	23775-7	13 1/2	23791-7	11 1/4	23782-7	11 1/4	23783-7	11 1/4
500W			23775-8	13 1/2	23791-8	13 1/2	23782-8	13 1/2	23783-8	13 1/2
1000W			23775-9	13 1/2	23791-9	13 1/2	23782-9	13 1/2	23783-9	13 1/2
500W			23775-10	13 1/2	23791-10	13 1/2	23782-10	13 1/2	23783-10	13 1/2
1000W			23775-11	13 1/2	23791-11	16	23782-11	13 1/2	23783-11	13 1/2
500W			23775-14	15 1/2	23791-14	16	23782-14	13 1/2	23783-14	13 1/2
1000W			23775-12	16	23791-12	16	23782-12	15 1/2	23783-12	15 1/2

NOTE 1000 watt kilowatt (ALL ELEMENTS ARE INDIVIDUALLY BOXED)